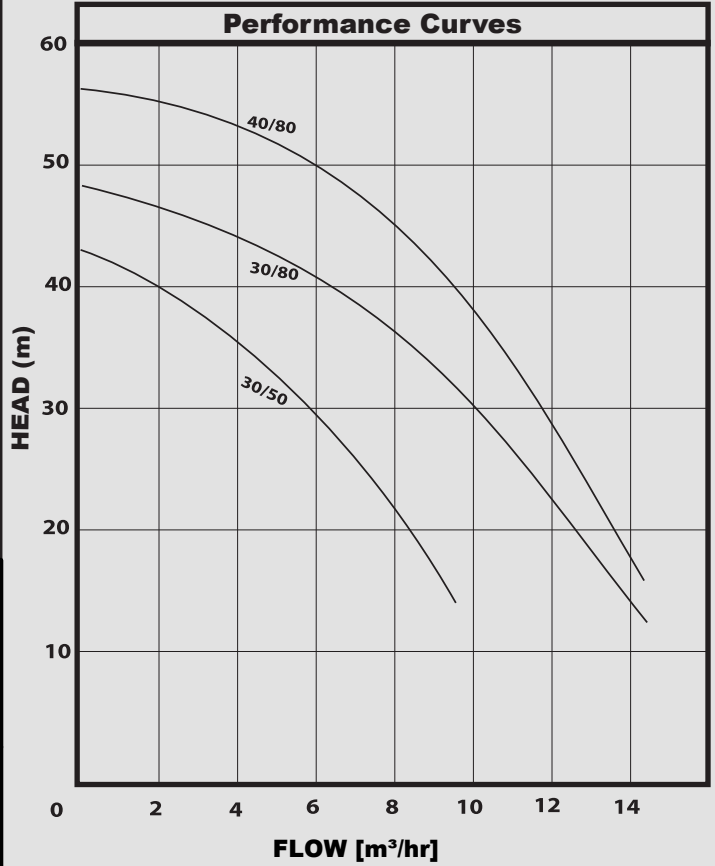




2EURO

BOOSTER SETS

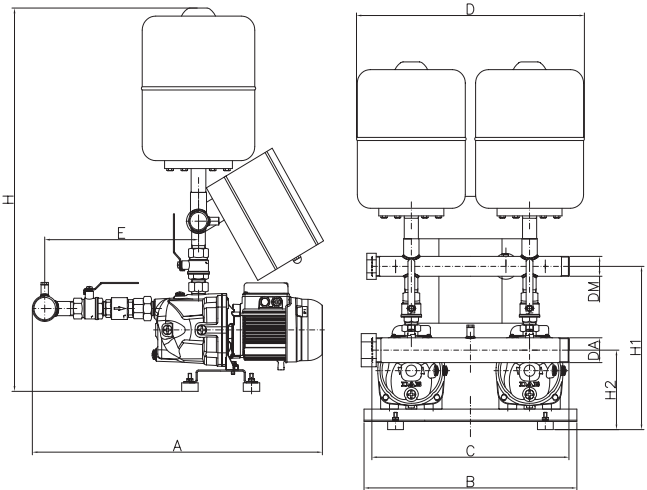


APPLICATIONS

DAB booster sets are designed for water pressure boosting in commercial and residential buildings and are also suitable for fire hose reels.

CONSTRUCTION FEATURES

The sets comprises of two DAB self priming jet pumps, pressure tanks, two independent pressure switches, pressure gauge, pressure control panel configured for duty/assist, all mounted on a base plate complete with galvanized manifolds and isolating valves



TECHNICAL DATA

| MODEL | VOLTAGE | kW x 2 | HP x 2 | Amps | A | B | H | MANIFOLD | | WEIGHT KG |
|-------------|---------|--------|--------|---------|-----|-----|-----|----------|----------|-----------|
| | | | | | | | | SUCTION | DELIVERY | |
| 2EURO 30/50 | 230 V~ | 0.55 | 0.75 | 2 x 3.9 | 715 | 540 | 830 | 2" | 1 1/2" | 71 |
| 2EURO 30/80 | | 0.8 | 1.1 | 2 x 5.3 | | | | | | |
| 2EURO 40/80 | | 1 | 1.36 | 2 x 6.5 | | | | | | |