



APPLICATIONS

The Grundfos ALPHA2 is designed for circulating liquids in heating systems and are suitable for the following applications:

- Systems with constant or variable flows where it is desirable to optimise the pump duty point
- Systems with variable flow-pipe temperature
- Installation existing systems where the differential pressure of the pump is too high during periods of reduced flow demand.

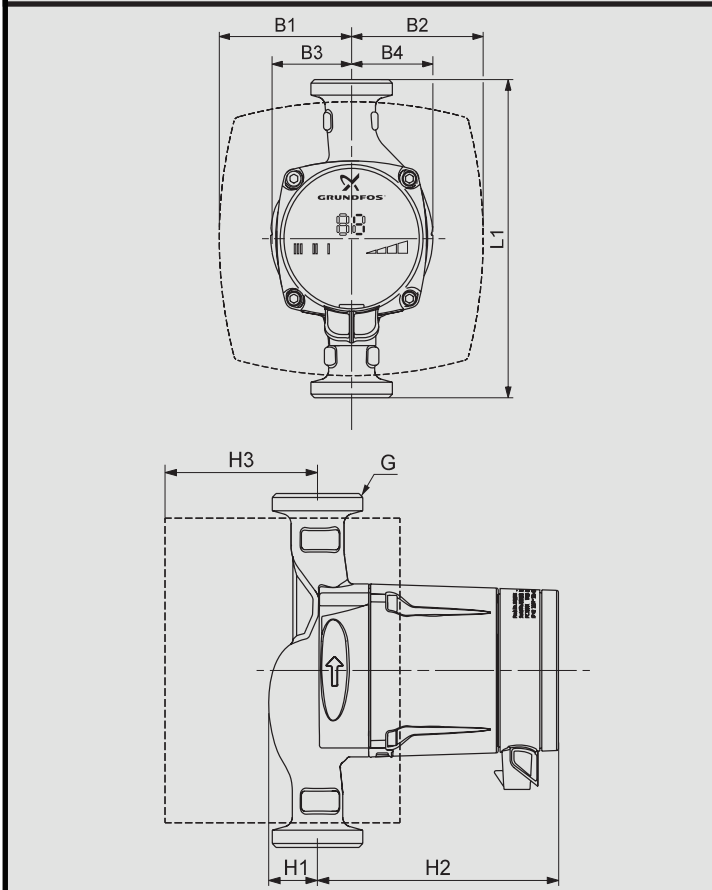
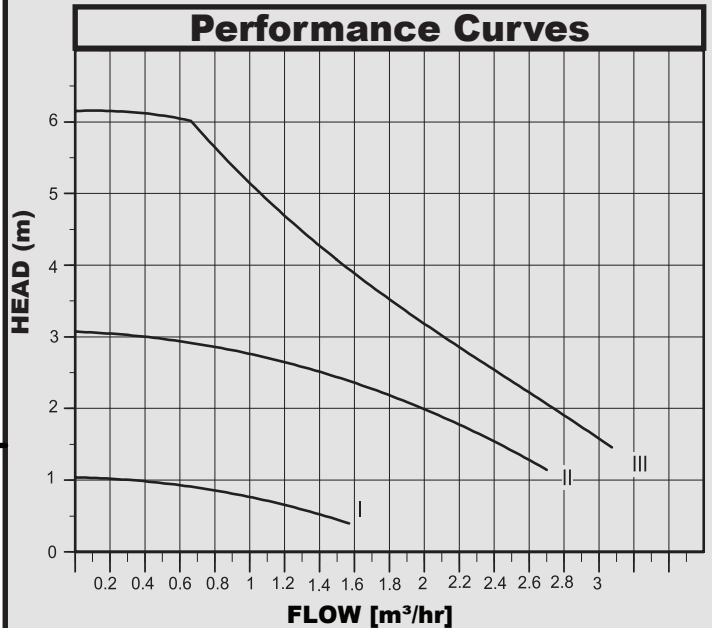
Installation in new systems for automatic adjustment of the performance to flow demands without the use of bypass valves or similar expensive components

CONSTRUCTION FEATURES

GRUNDFOS ALPHA2 is a complete range of circulator pumps with the following components:

- Intergrated differential-pressure control enabling adjustment of pump performance to actual system requirement
- Motor based on permanent-magnet/compact-rotor technology

The pumps are energy optimised and comply with the requirements of the Erp directive



TECHNICAL DATA

Pump type	Power [kW]	DIMENSIONS(mm)									Weight [kg]
		L1	B1	B2	B3	B4	H1	H2	H3	G	
ALPHA2 25-60	34	180	54	54	44	44	36	104	47	1 1/2	2.1