



### APPLICATIONS

The CR pumps are non self priming verticle multi-stage pumps suitable for a wide range of applications including water transfer, irrigation, boosting and industrial use

### CONSTRUCTION FEATURES

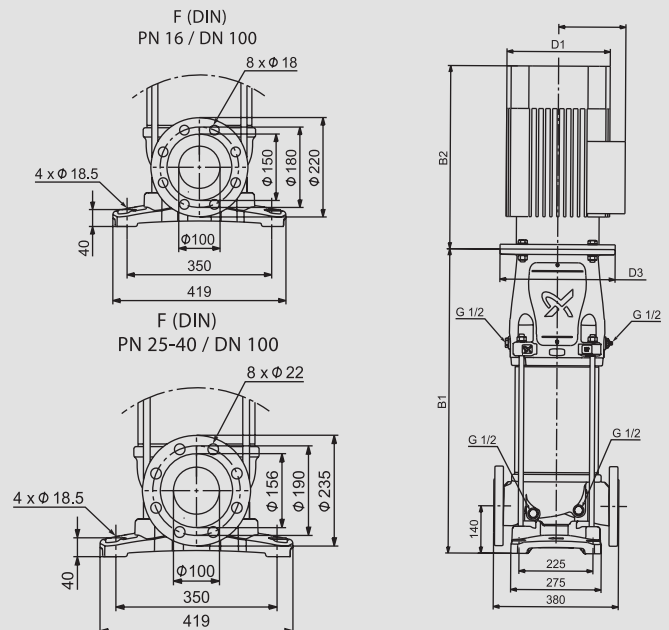
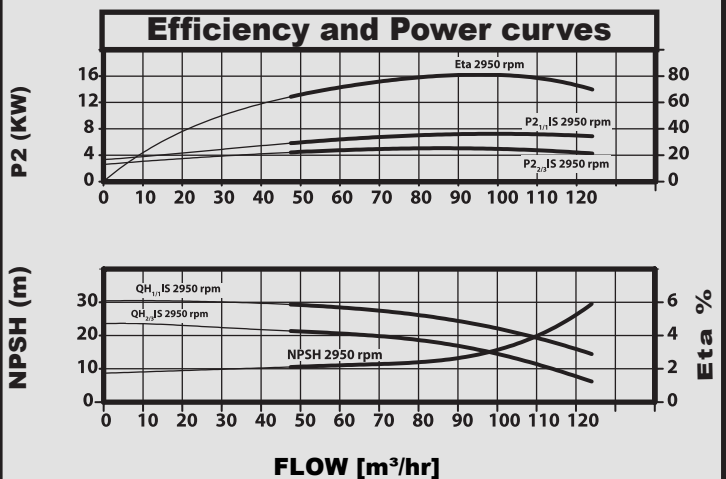
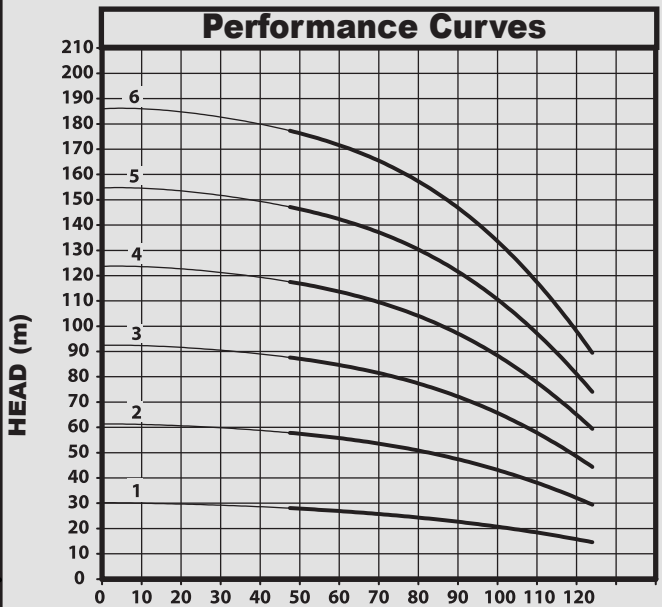
The pump consists of a base and a pump head. The chamber stack and the sleeve are secured between the base and the pump head by means of staybolts. The base has suction and discharge ports at the same level (in-line). All pumps are fitted with a maintenance free mechanical shaft. The pump is fitted with a totally enclosed fan-cooled 2 pole Grundfos standard motor with principal dimensions to EN standards. CRN version available for aggressive liquids and CRE version with frequency controlled motors for applications characterized by demand of variable flow at constant pressure

**Pump Liquids:** Clean, thin, non-aggressive liquids without solid particles and fibre.

**Liquid temperature:** -20°C to 120°C

**Ambient temperature:** 60°C max.

**Max. Operating pressure:** 25bar



### TECHNICAL DATA

Pump Type	Motor		Full Load Current(A)	Dimensions			Weight [kg]
	kW	HP		B1	B1 + B2	D1	
CR 95-1	7.5	10	14	689	1068	260	135
CR 95-2	15	20	26	795	1266	314	193
CR 95-3	22	29	39.5	900	1441	314	227
CR 95-4	30	40	51	1009	1620	396	349
CR 95-5	37	50	63	1114	1750	396	380
CR 95-6	45	60	74	1238	1946	449	462