

# TAFLO

## AHW

### VARIABLE SPEED CIRCULATOR PUMP



#### APPLICATIONS

The TAFLO AHW series is a high energy-efficient variable speed circulator pump that provides 8 different modes selection, such as Highest/Lowest proportional pressure, Highest/ Lowest constant pressure, Highest/ Medium/ Lowest constant speed, and Night version to replace existing fixed speed circulators in order to meet most circulation systems. Specifically designed for single and double-heating systems. Ground source heat systems. Boiler/Solar water heating systems. Hot-water recirculation systems. Water circulation for cooling air-conditioning systems. High temperature liquids recycle systems.

#### CONSTRUCTION FEATURES

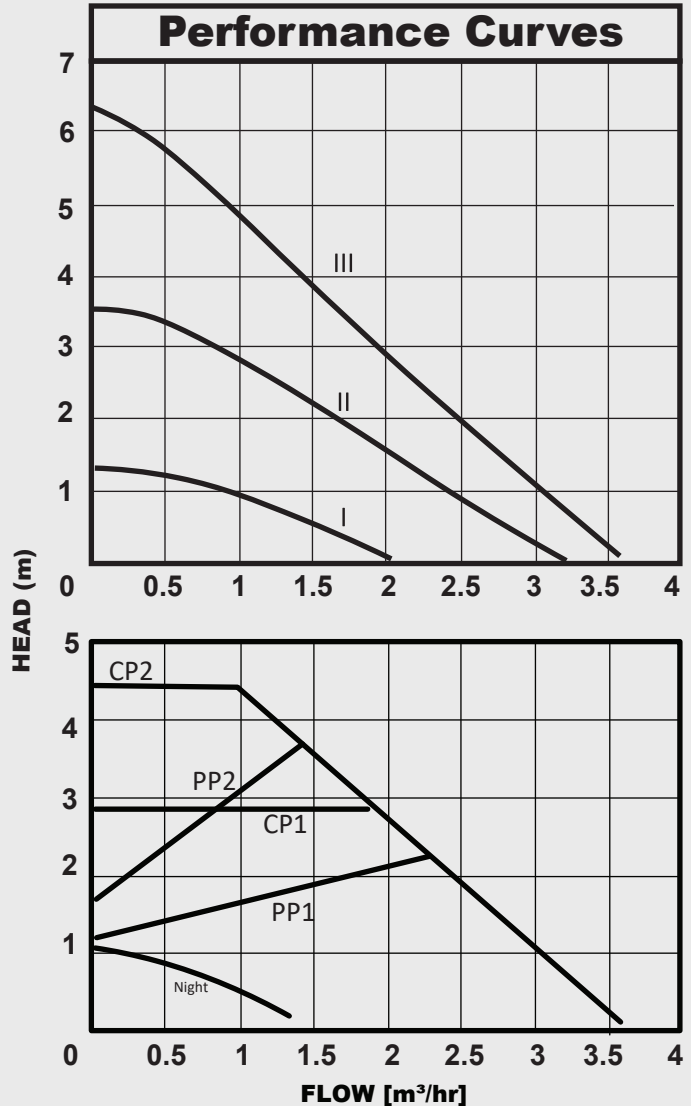
- High-efficiency motor design saving huge electricity
- Classical display panel makes the selection process easy
- Low noise operation
- Compact design easy to install

**Pump Liquids:** Clean water, non-corrosive and non-abrasive liquids

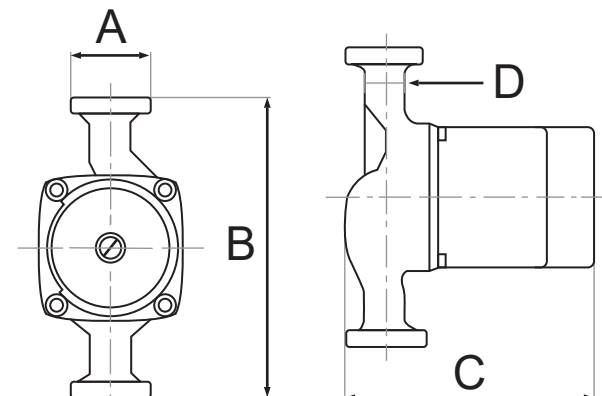
**Max. Ambient Temperature:** 40°C

**Liquid Temperature:** 0°C - 110°C

#### Performance Curves



Display definition	Explanation
light fields indicating the actual power watts	Actual power consumption in watts
Function III	Highest constant speed
Function II	Medium constant speed
Function I	Lowest constant speed
Function PP1	Lowest proportional pressure curve
Function PP2	Highest proportional pressure curve
Function CP1	Lowest constant pressure curve
Function CP2	Highest constant pressure curve
Night version	NIGHT SETBACK TURNDOWN



#### TECHNICAL DATA

Model	Voltage (V)	Power (W)	Dimensions(mm)				Inlet/Outlet	Weight
			A	B	C	D		
AHW-25-60-180	240	4-40	1½"	180	175	¾"	1½"	2.45