

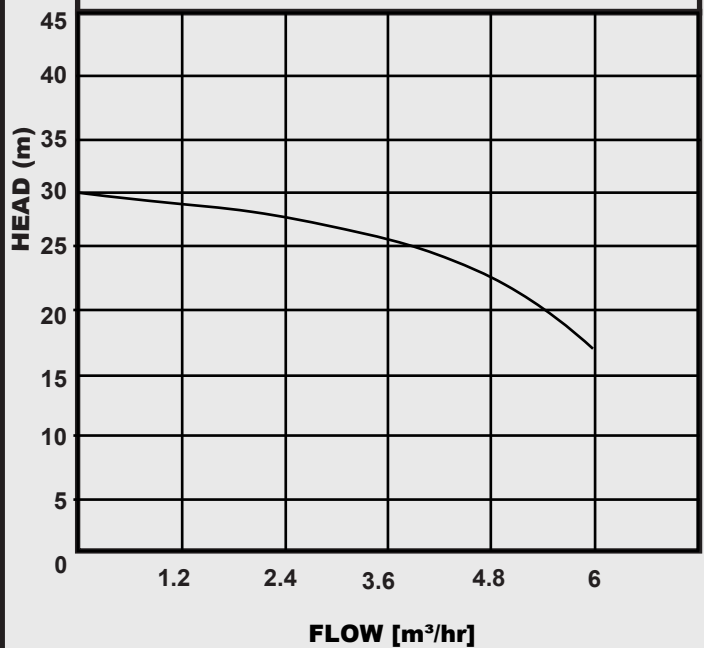
TAFLO

CPM158

HORIZONTAL CENTRIFUGAL PUMP



Performance Curves



APPLICATIONS

The **TAFLO CPM** is a single impeller centrifugal pump designed for water transfer and pressure boosting.

CONSTRUCTION FEATURES

Pump end comprises of cast iron pump body, Brass impeller and graphite/ceramic mechanical seal. Close coupled to squirrel cage induction motor, closed and cooled with external ventilation with built-in thermal & current overload protection.

Motor Protection: IP 44

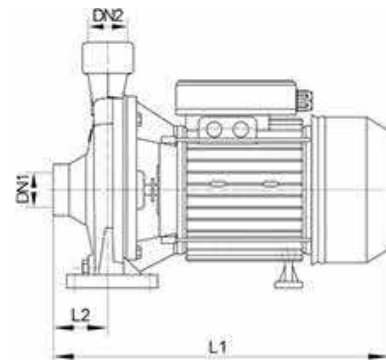
Insulation class: B

Liquid quality requirements: clean free from solids and abbrasive substances

Temperature: 0°C to 40°C

Maximum suction depth: 8 metres at sea level-

Maximum operating pressure: 8bar



TECHNICAL DATA

TYPE	Power			Ampere I/max	DN1	DN2	N-W (kg)	Dimension(mm)		
	KW	HP	uF					L	W	H
CPM158	0.75	1	20	5.0	1"		13	320	220	270