

TAFLO

CVP1

MULTISTAGE VERTICAL PUMPS



APPLICATIONS

The TAFLO CVP centrifugal pumps are vertical multi-stage centrifugal pumps suitable for a wide range of applications including water transfer, boiler feed, irrigation, boosting and industrial use.

CONSTRUCTION FEATURES

The pump consists of a base and a pump head. The chamber stack and the sleeve are secured between the base and the pump head by means of staybolts. The base has suction and discharge ports at the same level (inline). All pumps are fitted with a maintenance free mechanical shaft seal and coupled to a totally enclosed fan-cooled 2 pole squirrel cage motor. All parts in contact with water are made of stainless steel.

PUMPED LIQUIDS: Clean, thin, non-aggressive liquids without solid particles and fibre

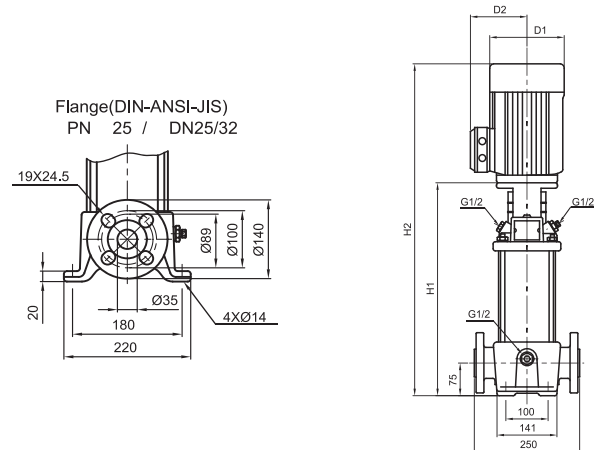
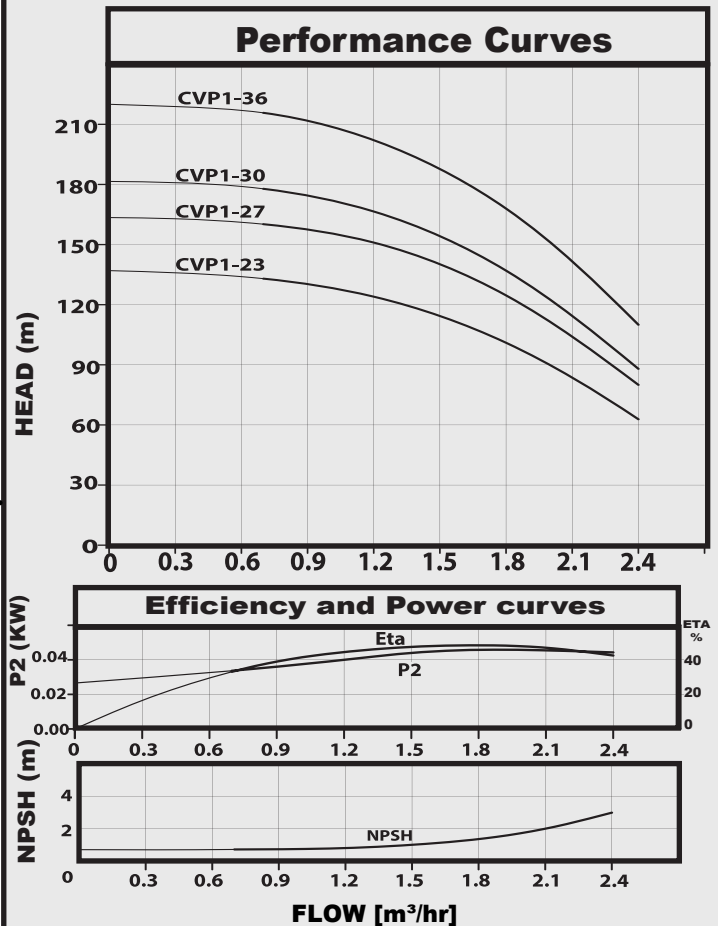
LIQUID TEMPERATURE: -15°C to +120°C

MAX. OPERATING PRESSURE: 21.5 bar

INSULATION CLASS: F **RPM:** 2900

AMBIENT TEMP.: 50°C

TECHNICAL DATA



Model	kW	HP	Nominal Current (A)		Dimensions(mm)				Weight (kg)
			240V	415V	H1	H2	D1	D2	
CVP1-23	1.1	1.5	5.2	3	645	880	141	115	34.6
CVP1-27	1.5	2	6.2	3.6	733	1024	177	141	44.8
CVP1-30	1.5	2	6.2	3.6	787	1078	177	141	45.9
CVP1-36	2.2	3	10	5.8	895	1186	177	141	51