

# TAFLO

## CVP10

## MULTISTAGE VERTICAL PUMPS



### APPLICATIONS

The TAFLO CVP centrifugal pumps are vertical multi-stage centrifugal pumps suitable for a wide range of applications including water transfer, boiler feed, irrigation, boosting and industrial use.

### CONSTRUCTION FEATURES

The pump consists of a base and a pump ahead. The chamber stack and the sleeve are secured between the base and the pump head by means of staybolts. The base has suction and discharge ports at the same level (inline). All pumps are fitted with a maintenance free mechanical shaft seal and coupled to a totally enclosed fan-cooled 2 pole squirrel cage motor. All parts in contact with water are made of stainless steel.

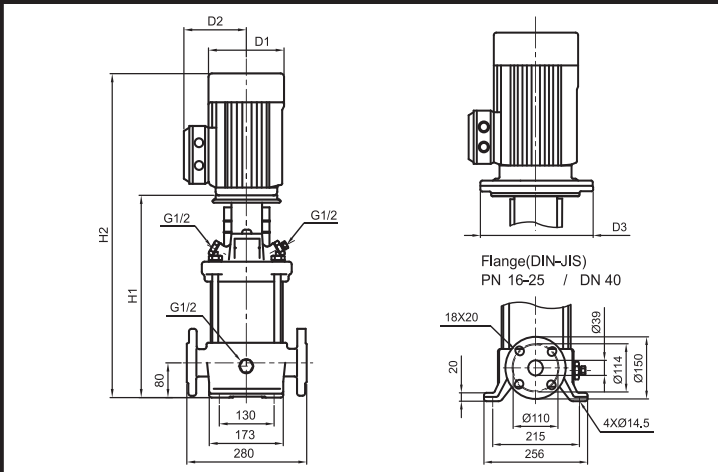
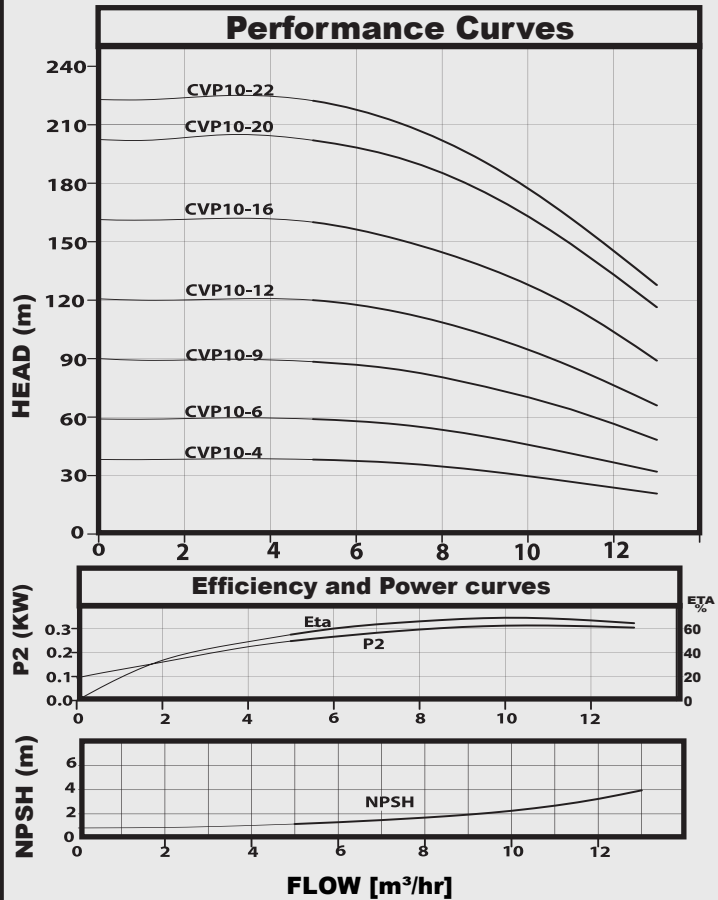
**PUMPED LIQUIDS:** Clean, thin, non-aggressive liquids without solid particles and fibre

**LIQUID TEMPERATURE:** -15°C to +120°C

**MAX. OPERATING PRESSURE:** 21.5 bar

**INSULATION CLASS:** F **RPM:** 2900

**AMBIENT TEMP.:** 50°C



### TECHNICAL DATA

Model	kW	HP	Nominal Current (A)		Dimensions (mm)				Weight (kg)
			240V	415V	H1	H2	D1	D2	
CVP10-4	1.5	2	6.2	3.6	433	724	177	141	46
CVP10-6	2.2	3	10	5.8	493	784	177	141	50.8
CVP10-9	3	4		7.2	588	904	197	147	61.0
CVP10-12	4	5.5		8.7	678	1004	220	161	67.5
CVP10-16	5.5	7.5		12	830	1192	235	197	102.4
CVP10-20	7.5	10		15.3	950	1348	235	197	112.8
CVP10-22	7.5	10		15.3	1010	1408	235	197	114.9