

TAFLO

CVP20

MULTISTAGE VERTICAL PUMPS



APPLICATIONS

The TAFLO CVP centrifugal pumps are vertical multistage centrifugal pumps suitable for a wide range of applications including water transfer, boiler feed, irrigation, boosting and industrial use.

CONSTRUCTION FEATURES

The pump consists of a base and a pump ahead. The chamber stack and the sleeve are secured between the base and the pump head by means of staybolts. The base has suction and discharge ports at the same level (inline). All pumps are fitted with a maintenance free mechanical shaft seal and coupled to a totally enclosed fan-cooled 2 pole squirrel cage motor. All parts in contact with water are made of stainless steel.

PUMPED LIQUIDS: Clean, thin, non-aggressive liquids without solid particles and fibre

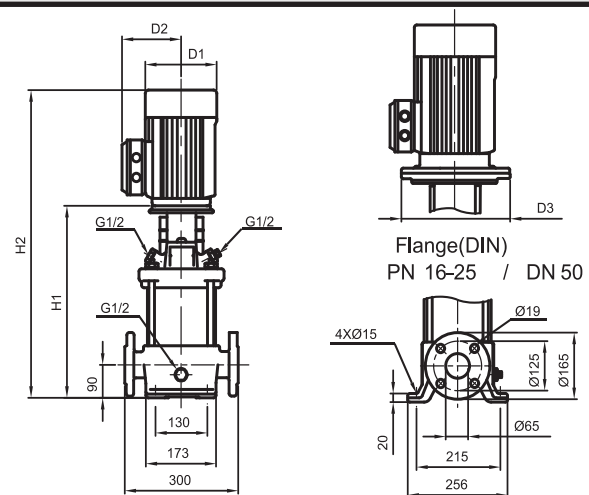
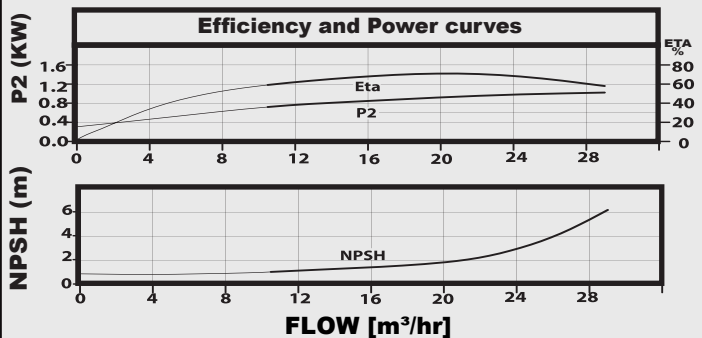
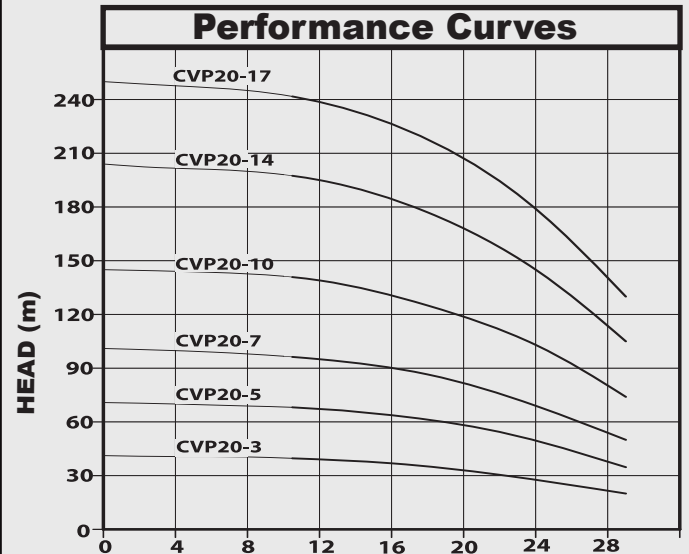
LIQUID TEMPERATURE: -15°C to +120°C

MAX. OPERATING PRESSURE: 21.5 bar

INSULATION CLASS: F **RPM:** 2900

AMBIENT TEMP.: 50°C

TECHNICAL DATA



Model	kW	HP	Nominal Current(A) 415V	Dimensions(mm)				Weight (kg)
				H1	H2	D1	D2	
CVP20-3	4	5.5	8.7	463	789	220	161	60.2
CVP20-5	5.5	7.5	12	585	947	235	197	93.8
CVP20-7	7.5	10	15.3	675	1073	235	197	103.0
CVP20-10	11	15	19.2	887	1392	318	245	144.3
CVP20-14	15	20	26	1057	1577	318	245	160.1
CVP20-17	18.5	25	31.2	1202	1752	318	245	188.5