

TAFLO

CVP32

MULTISTAGE VERTICAL PUMPS



APPLICATIONS

The TAFLO CVP centrifugal pumps are vertical multi-stage centrifugal pumps suitable for a wide range of applications including water transfer, boiler feed, irrigation, boosting and industrial use.

CONSTRUCTION FEATURES

The pump consists of a base and a pump ahead. The chamber stack and the sleeve are secured between the base and the pump head by means of staybolts. The base has suction and discharge ports at the same level (inline). All pumps are fitted with a maintenance free mechanical shaft seal and coupled to a totally enclosed fan-cooled 2 pole squirrel cage motor. All parts in contact with water are made of stainless steel.

PUMPED LIQUIDS: Clean, thin, non-aggressive liquids without solid particles and fibre

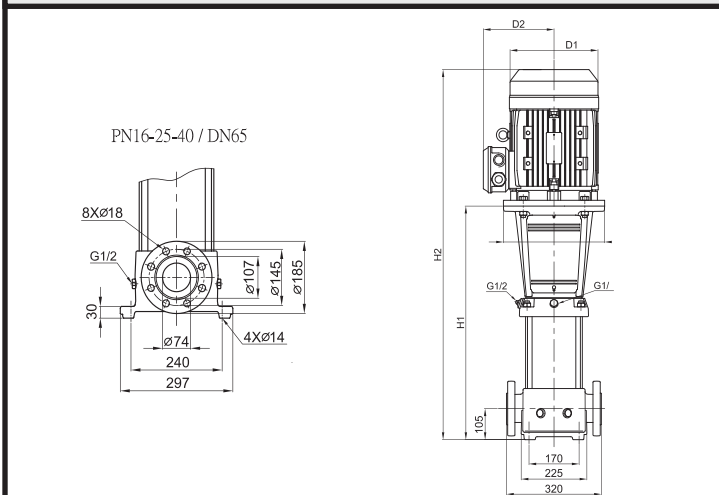
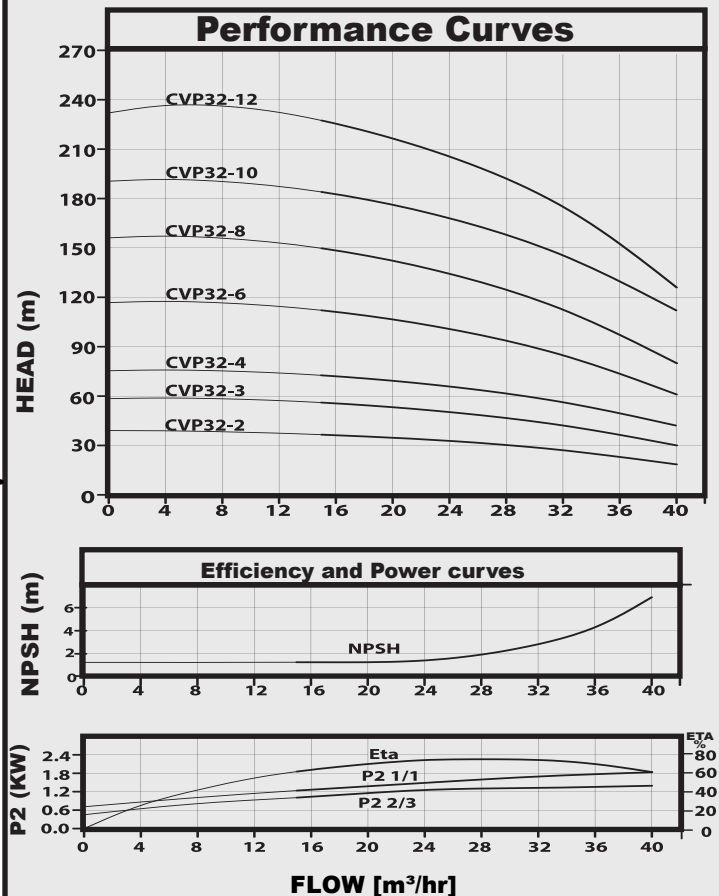
LIQUID TEMPERATURE: -15°C to +120°C

MAX. OPERATING PRESSURE: 21.5 bar

INSULATION CLASS: F **RPM:** 2900

AMBIENT TEMP.: 50°C

TECHNICAL DATA



Model	kW	HP	Full Load Current 415V	Dimensions(mm)				Weight (kg)
				H1	H2	D1	D2	
CVP32-3	5.5	7.5	12	644	1006	235	197	105.1
CVP32-4	7.5	10	15.3	714	1112	235	197	114.6
CVP32-6	11	15	19.2	964	1469	318	245	162.4
CVP32-8	15	20	26	1104	1614	318	245	178.8
CVP32-10	18.5	25	31.8	1244	1794	318	245	208.2
CVP32-12	22	30	37.5	1384	1964	358	365	256.3