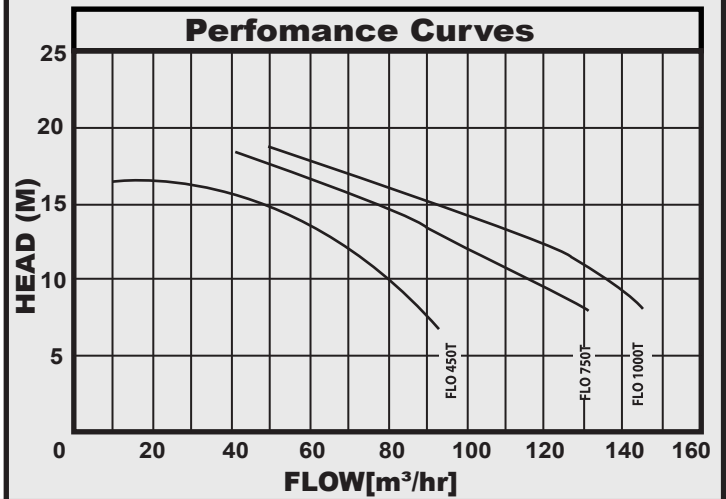


# TAFLO

## FLOODER POOL PUMPS



### APPLICATIONS

GEMAS FLOODER swimming pool pumps are high quality self priming pool pumps with in-built large capacity pre-filter. Extremely quiet running and great reliability, developed for water circulation and filtration in swimming pools and also for special applications that call for handling of aggressive liquids, in fish farms, agriculture and industry.

### CONSTRUCTION FEATURES

Pump body in fibre glass reinforced technopolymer, strainer cover in clear anti-oxidant polycarbonated to guarantee constant visibility through time. Nylon strainer. Impeller in fibre glass-reinforced technopolymer. Asynchronous continuous duty motor casing in die-cast aluminium with electrophoretic surface treatment to prevent oxidation even in aggressive environmental conditions.

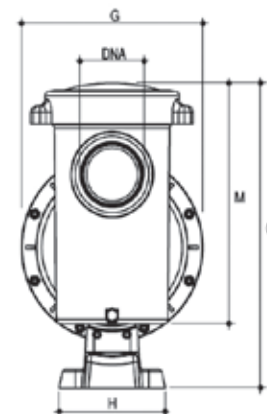
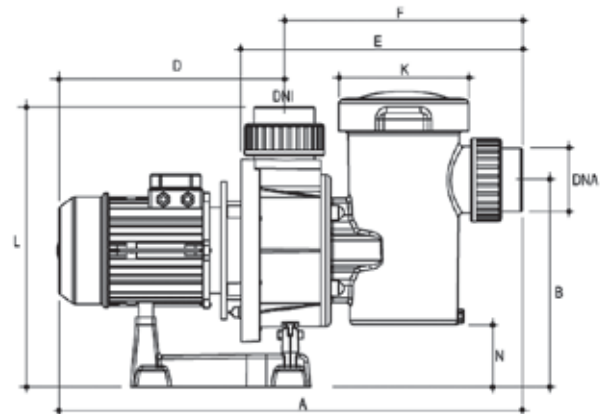
**Motor and terminal box protection rating:** IP55,

**Insulation class:** F,

**Temp range:** up to 60°C,

**Pumped fluid:** clean water or slightly contaminated with suspended solid debris, long fibre; highly aggressive water with high percentage of chlorine.

**Max Operating pressure:** 2.5bar



### TECHNICAL DATA

MODEL	VOLTAGE	HP	DNA	DNI	A	B	C	D	E	F	G	H	L	M	N	WEIGHT KG
FLO 450T	415	4.5	4"	4"	945	406	580	460	573	485	358	210	550	457	122	33.850
FLO 750T	415	7.5	4"	4"	945	406	580	460	573	485	358	210	550	457	122	48.450
FLO 1000T	415	10	4"	4"	945	406	580	460	573	485	358	210	550	457	122	54.600