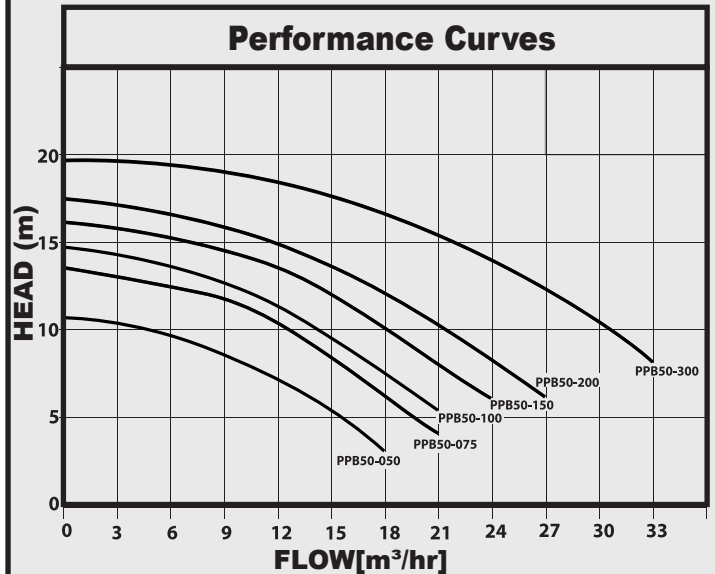
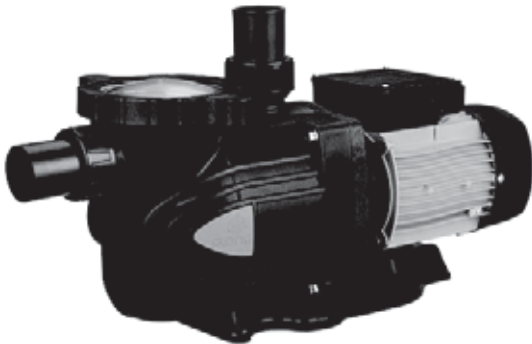


# TAFLO

## PPB50

## POOL PUMPS



### APPLICATIONS

Quiet running centrifugal pumps designed for water circulation and filtration in domestic and commercial swimming pools.

### CONSTRUCTION FEATURES

Pump body and impeller in thermoplastic, strainer cover in clear antioxidant polycarbonated and fitted with a Nylon strainer. Asynchronous continuous duty motor housed in die cast aluminium casing.

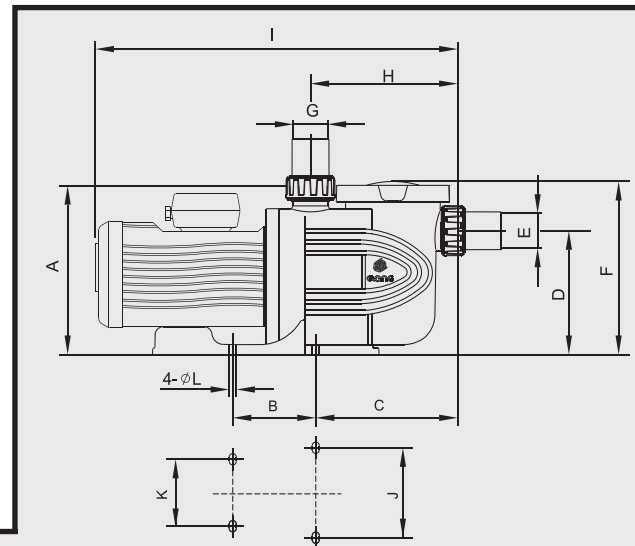
**Motor and terminal box protection rating:** IP55

**Insulation class:**F

**Pumped fluid:** clean water or water slightly contaminated with suspended particles, long fibre; highly aggressive water with high percentage contents of chlorine

**Temp range:** up to 60°C

**Max Operating pressure:** 2bar



### TECHNICAL DATA

Model	HP	kW	V	Amps	A	B	C	D	E & G	F	H	I	J	K	L	WEIGHT KG
PPB50-050	0.50	0.37	220	3.1	266	134	229	195	∅ 63∅	273	238	595	190	154	11.5	12.5
PPB50-075	0.75	0.55		4.2	266	134	229	195	∅ 63∅	273	238	595	190	154	11.5	13.5
PPB50-100	1.0	0.75		5.3	266	134	229	195	∅ 63∅	273	238	605	190	154	11.5	14.5
PPB50-150	1.5	1.1		7.2	266	134	229	195	∅ 63∅	273	238	605	190	154	11.5	15.5
PPB50-200	2	1.5		9.4	266	134	229	195	∅ 63∅	273	238	640	190	154	11.5	18
PPB50-300	3	2.2		13.0	266	134	229	195	∅ 63∅	273	238	640	190	154	11.5	20.5