

TAFLO

SS

DRAINAGE PUMPS

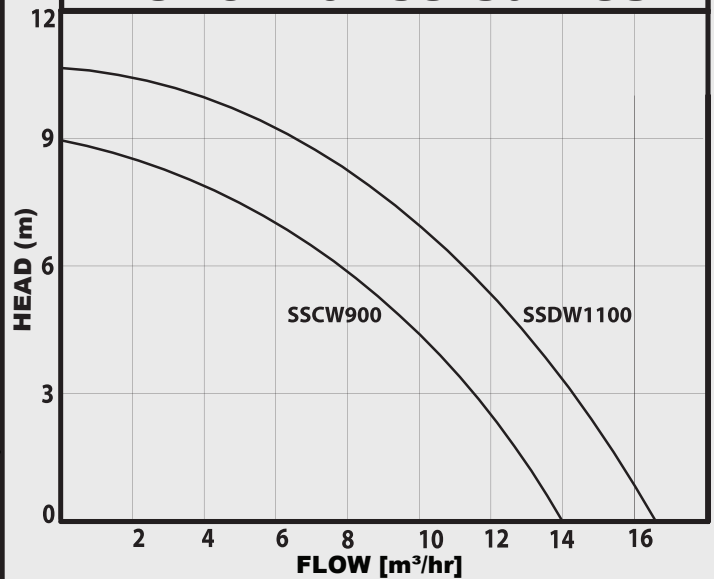


SSDW1100



SSCW900

Performance Curves



APPLICATIONS

The TAFLO SS submersible pumps are designed for draining, lifting and transfer of drainage water with maximum particals of 5mm for the SSCW, while the SSDW model is designed for larger particles with maximum diameter of 35mm.

CONSTRUCTION FEATURES

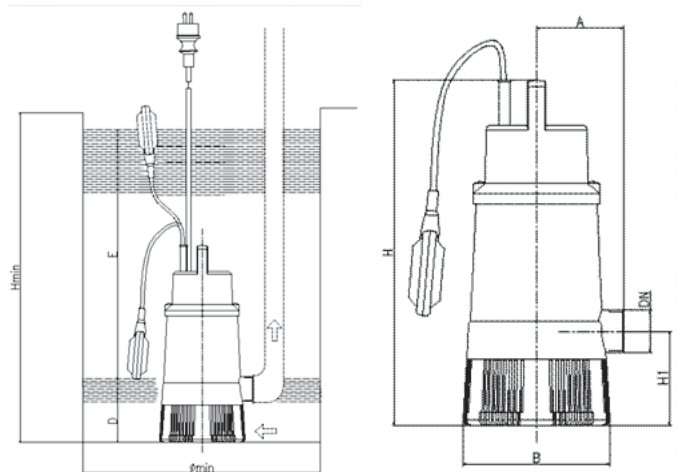
- Built of stainless steel SS304 Anti-corrosion and rust-proof
- Fitted with float switch for liquid level control
- Supplied with 10m cable
- Lowest pump starting level SSCW-35mm & SSDW-135mm
- Lowest pump sucking level SSCW-11mm & SSDW-45mm

Pumped liquid: Water containing particles 5mm for SSCW model and 35mm for SSDW model

Temp: 0°C to 35°C

Max. operating pressure: 0.9bar for SSCW and 1.05bar for SSDW

Max. Immersion depth: 7 m



TECHNICAL DATA

MODEL	VOLTAGE	kW	HP	Amps	DIMENSIONS				DNM	WEIGHT KG
					H	B	H _{min}	Ø _{min}		
SSCW900	240V	0.9	1.2	4	350	140	600	600	1 1/4"	4.2
SSDW1100	240V	1.1	1.5	7.2	360	160	600	500	1 1/4"	5.2