

APPLICATIONS

Grundfos JP are self-priming, single-stage centrifugal pumps with stainless-steel pump housings, designed for a wide range of garden and domestic applications, including water supply and transfer duties in homes.

CONSTRUCTION FEATURES

The JP pump is a self priming, single-stage centrifugal pump with axial suction port and radial discharge port for ease of installation. The pump has abuilt-in ejector with guide vanes for optimum self-priming properties and is directly coupled to a special fan cooled asynchronous Grundfos motor, adapted to the pump performance with an in-built protection switch. Grundfos PM1 manager can be supplied as an option.

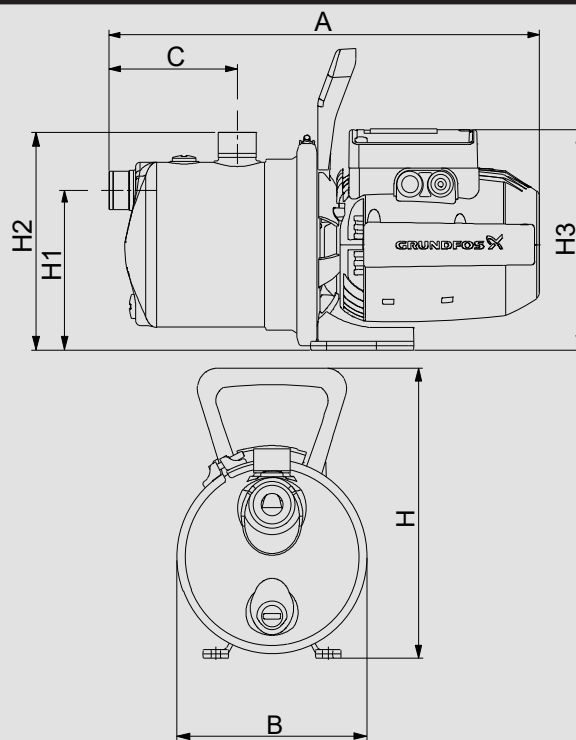
Suitable for houses with upto three floors and eight tapping points

Pumped liquid: Clean, thin, non-aggressive and non-explosive liquids without solid particles or fibres.

Operating pressure: Max 6bar,

Suction Lift: Max 8 meters

Ambient temp: Max +40°C



TECHNICAL DATA

Model	Power [kW]	Full Load Current(A)	Starting Current (A)	Inlet/Outlet	Dimensions(mm)		Weight (kg)
					H2	A	
JP4-47	0.85	3.8	11.3	1"	200	405	9.1
JP5-48	1.5	6.6	27.9		201	424	12.6