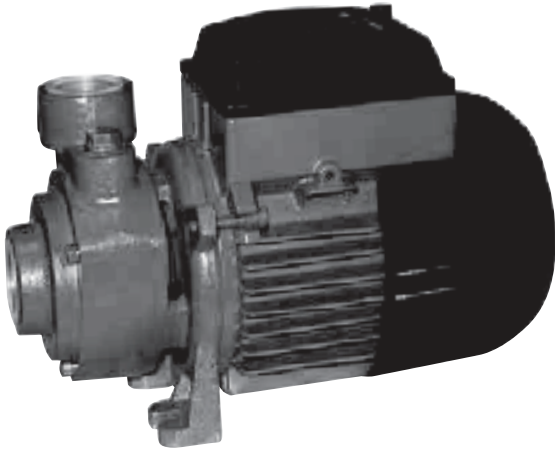


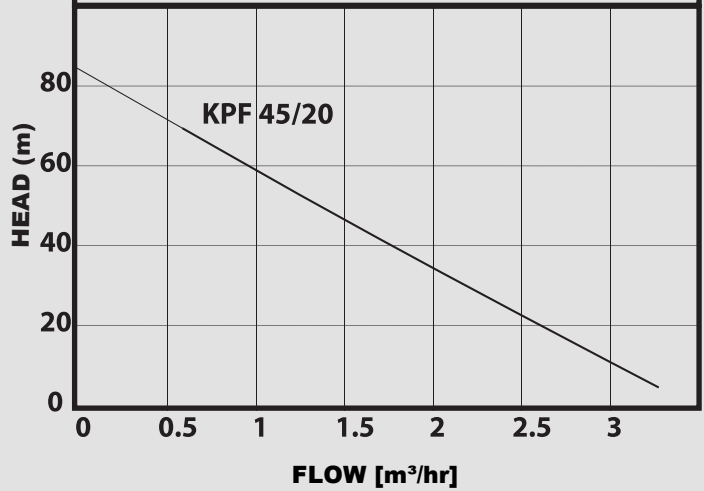


KPF

DOMESTIC WATER TRANSFER PUMP



Performance Curves



APPLICATIONS

The DAB KPF is a peripheral impeller design centrifugal pumps suitable for domestic water supply systems and small gardening applications.

CONSTRUCTION FEATURES

Cast iron pump body, brass impeller and carbon/ceramic mechanical seal. Induction motor, closed and cooled with external ventilation, built-in thermal & current overload protection. Manufactured according to CE12-3 & CEI 61-69 standards (EN 60335-2-41)

Protection Rating: IP44

Terminal box protection: IP55

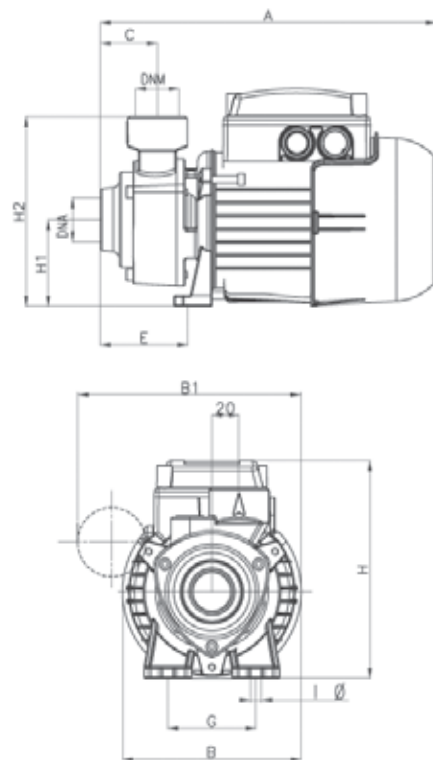
Insulation Class: F

Liquid Quality Requirements: Clean, free of solids or abrasive substances, non-viscous, non-aggressive, non-crystallized, chemically neutral, close to the characteristics of water.

Temperature: 0°C to 40°C

Maximum Suction Depth: 8 metres at sea level

Maximum Operating Pressure: 6 bar



TECHNICAL DATA

Model	Motor Type	Power [kW]	HP	Amps	A	B	C	E	F	G	H	H1	DNA	DNM	Weight KG
KPF45/20	1x 220-240V	1	1.34	5.9	315	155	-	95	-	112	188	78	1"		12